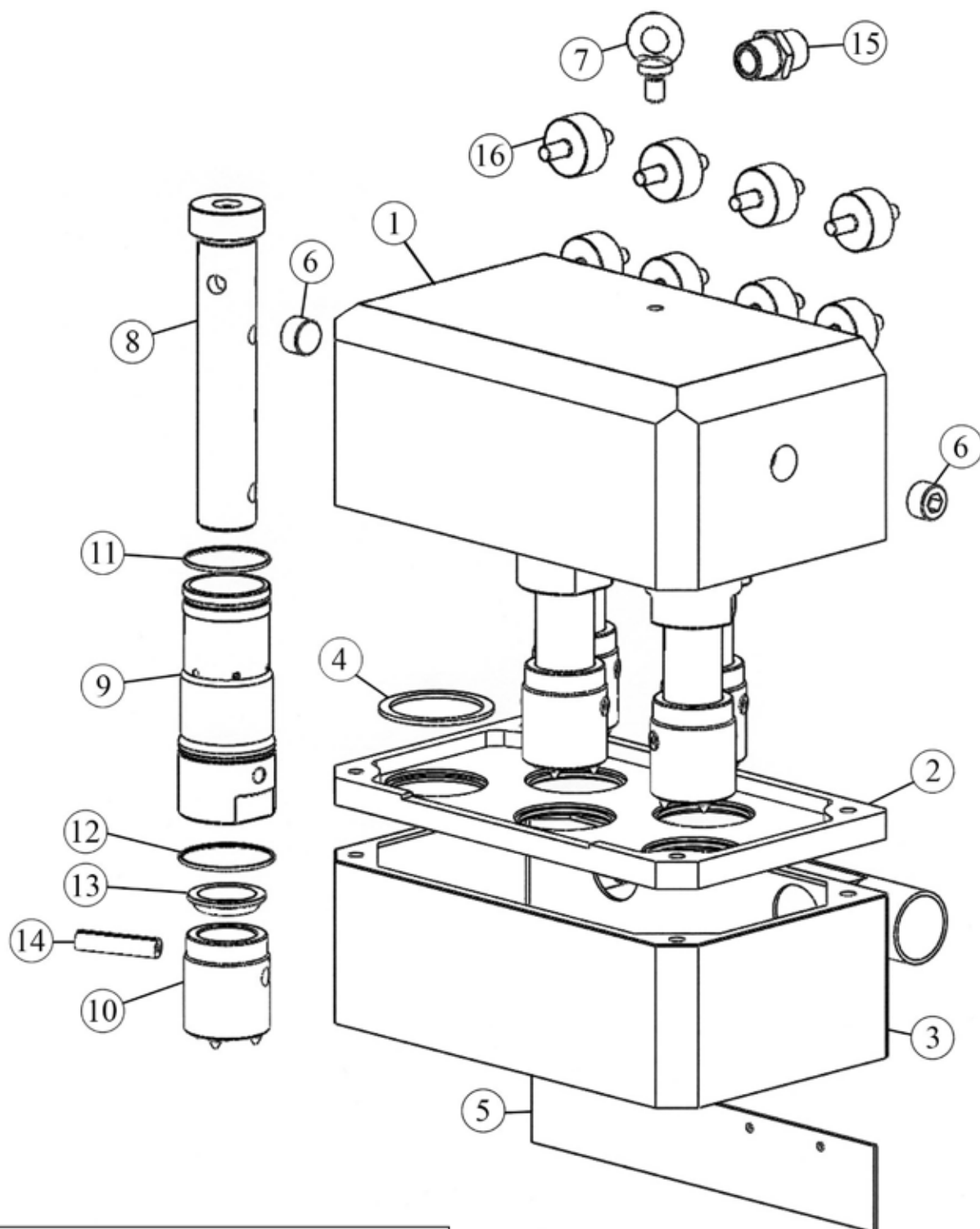


SERVICING continued

Exploded View 1



Consumables		
5	731.5059	Rear Vacuum Shroud Seal
10	426.5359	TCT Bush Cutterhead
14	813.1050	Roll Pin

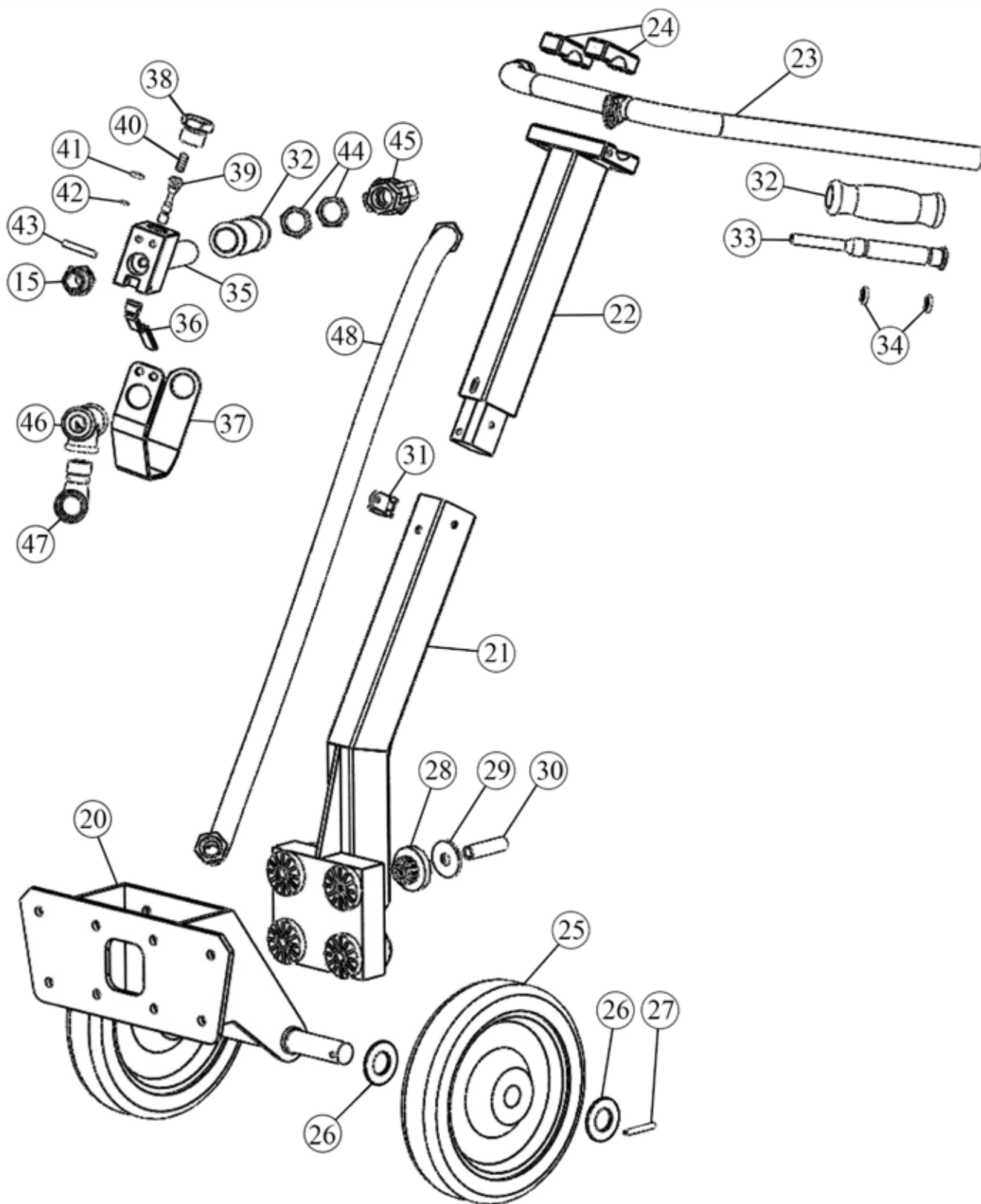
SEE PAGE (10) FOR LIST OF ALL COMPONENTS

TRELAWNY™
United Kingdom Online Sales



SERVICING continued

Exploded View 2



PART NUMBER LIST

Item No	Part No	Description
1	611.5050	Block
2	654.5050	Exhaust Chamber
3	652.5050	Vacuum Shroud
4	726.5050	Exhaust Chamber Seal
5	731.5059	Vacuum Shroud Seal
6	818.0750	3/4" Blanking Plug (Block)
7	831.4120	Eye Bolt
8	612.5005	Piston
9	613.5001	Cylinder
10	426.5359	TCT Cutterhead (Bush) five point
	426.5369	TCT Cutterhead (Bush) nine point
11	809.6599	O'Ring Cylinder (Small)
12	809.6619	O'Ring Cylinder (Large)
13	829.5001	Wiper Seal
14	813.1050	Roll Pin (Cutterhead Retaining)
15	826.5004	3/4" Adapter (Block & Valve body)
16	830.5050	Isolastic Bushes (Block to Sub-frame)
17-19		Not assigned
20	440.5050	Sub-Frame
21	422.5050	Lower Handle
22	422.5055	Top Handle
23	422.5060	Handle Bar
24	422.5065	Handle Bar Clamp
25	833.5050	Wheel
26	655.5050	Wheel Spacer
27	813.0645	Roll Pin (Wheel Retaining)
28	830.1000	Vibro-mount bushes (Sub-frame to Lower Handle)
29	620.5050	Insert (Vibro-mount bushes)
30	617.5050	Washer (Vibro-mount bushes)
31	815.5050	P-Clip (Hose Retaining)
32	822.2000	Rubber Grip
33	633.5050	Pin Punch
34	809.6165	O'Ring (Punch)
35	422.5005	Valve Body
36	649.5011	Lever
37	665.5011	Lever Guard
38	634.5011	Valve Cap
39	618.5025	Valve Stem
40	712.5001	Valve Spring
41	809.5599	O'Ring (Valve Seat)
42	809.0069	O'Ring (Valve Stem)
43	813.0636	Roll Pin (Lever)
44	625.5011	Locknut
45	843.0765	Claw Coupling
46	819.2380	T - Connector
47	342.HY13	90° Elbow Connector
48	719.5050	Armoured Hose
	831.0620	M6 x 20 Hexagon Head Screw (Vacuum Skirt)
	831.0616	M6 x 16 Hexagon Head Screw (Hose Clip)
	824.0600	M6 Nyloc Nut
	812.2060	M6 Large Washer (Vacuum Skirt)
	852.0812	M8 x Button Head Screw (Lever Guard)
	831.0825	M8 x 25 Hexagon Headed Screw (Lower /Upper Handle)
	806.0830	M8 x 30 Caphead Bolt (Handle bar clamp/Quadrant)
	806.1040	M10 x 40 Caphead Bolt
	831.1080	M10 x 80 Caphead Bolt
	824.1000	M10 Nyloc Nut
	812.0710	M10 Plain Washer