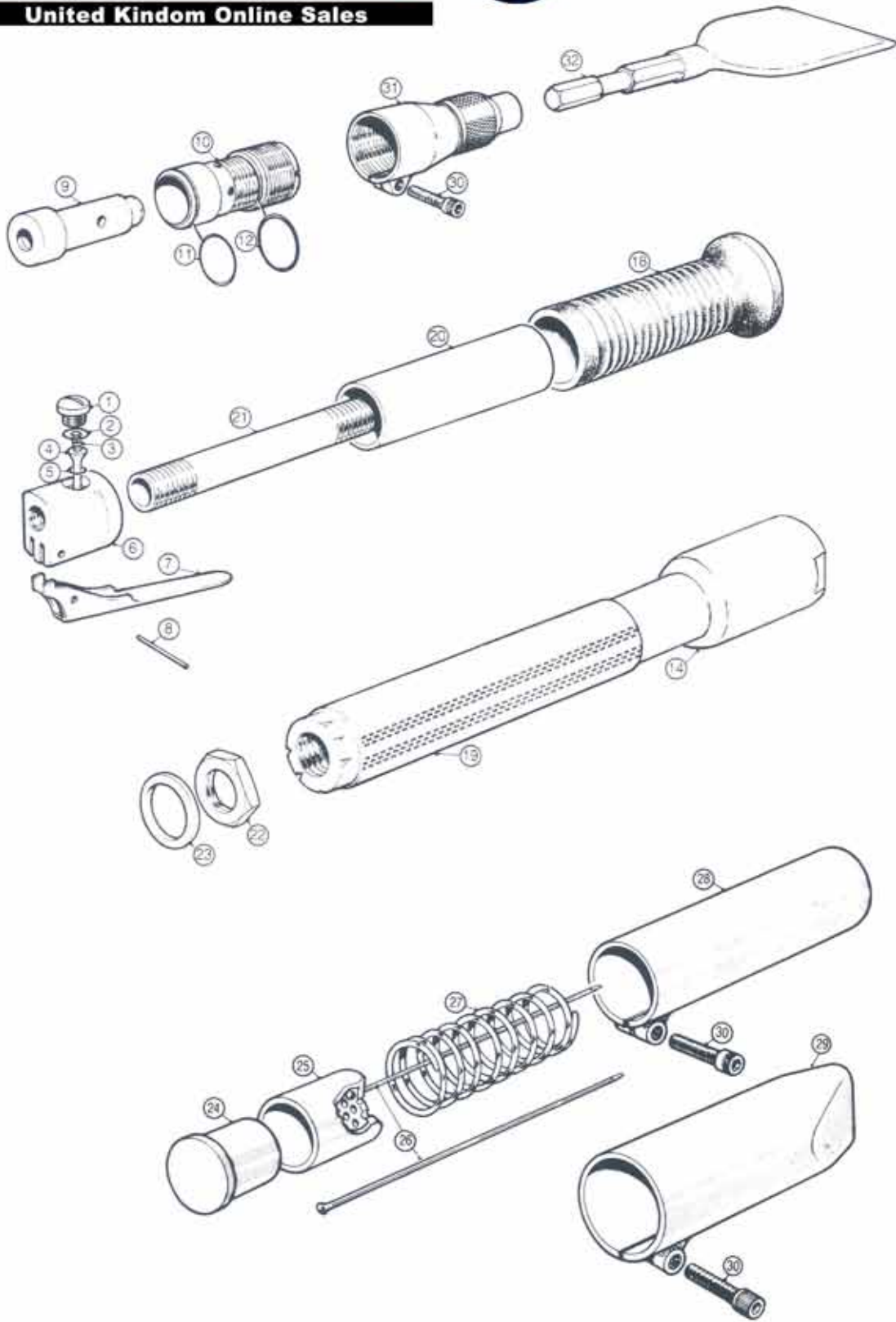
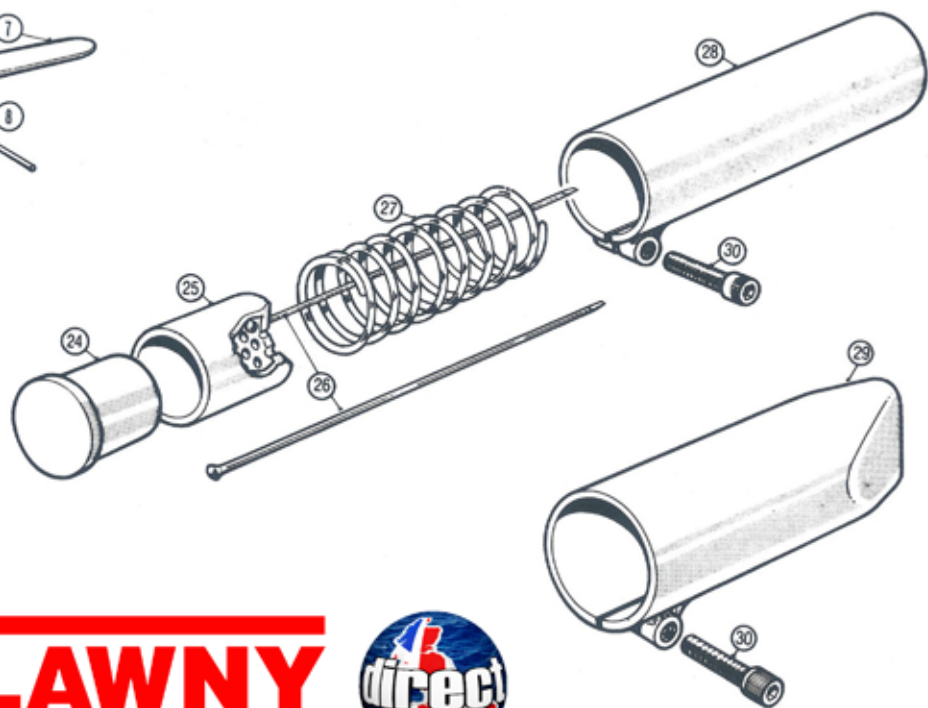
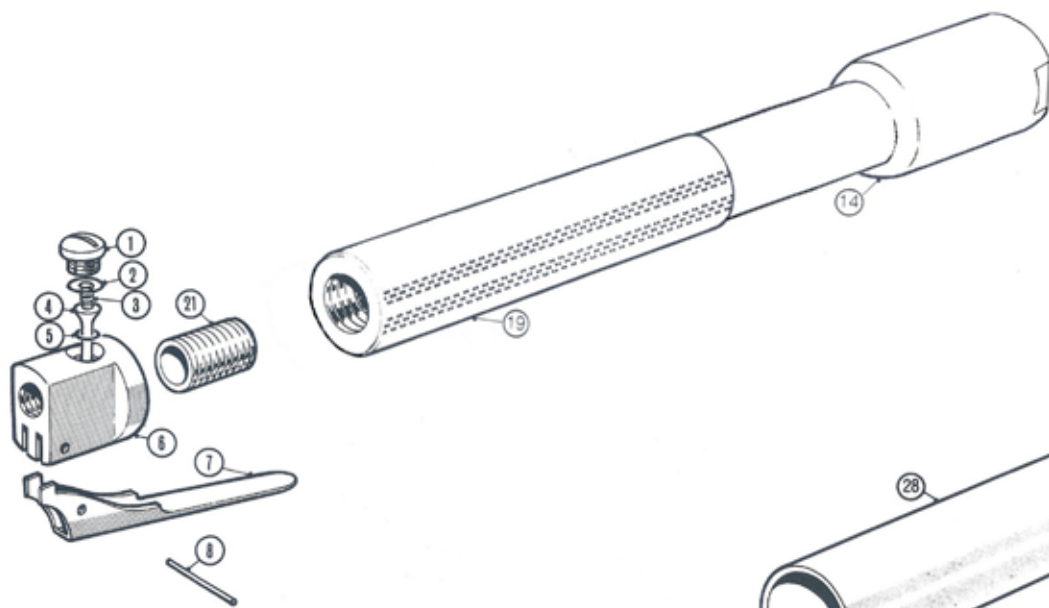
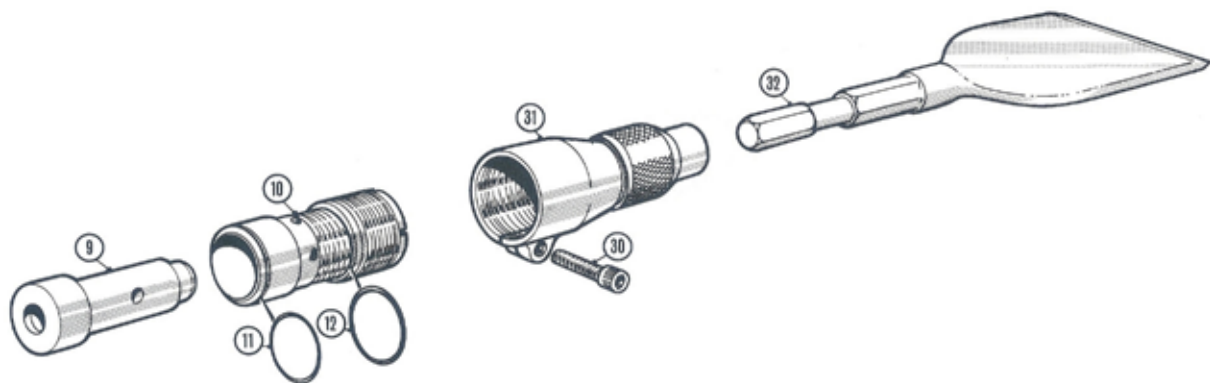


# TRELAWNY™

United Kindom Online Sales





**TRELAWNY**™  
United Kindom Online Sales



ITEM	PART No	DESCRIPTION	ITEM	PART No	DESCRIPTION
<b>Common components</b>			<b>Common components</b>		
1	615.3021	Valve Cap	30	806.0830	Cap Head Screw
2	809.0139	O'Ring (Valve Cap)	31	419.3541	Chisel Holder Assembly 5/8" Hex
3	712.3022	Valve Spring	32	705.1102	Chisel 5/8" Hex 8" Long x 4" Blade
4	618.3022	Valve Stem		431.3504	Scraper Holder - includes 4" Replaceable Blade
5	809.0089	O'Ring - (Valve Seat)		431.3508	Scraper Holder - inc 8" Replaceable Blade
6	616.3021	Valve Body		431.3512	Scraper Holder - inc 12" Replaceable Blade
	423.3021	Valve Body Assembly (Comprises items 1-8)		431.3904	Scraper Holder - inc Bevelled 4" Replaceable Blade
7	713.3021	Throttle Lever		431.3908	Scraper Holder - inc Bevelled 8" Replaceable Blade
8	813.0108	Roll Pin		431.3912	Scraper Holder - inc Bevelled 12" Replaceable Blade
9	612.3001	Piston		439.3504	Pack of 5 Scraper blades 4"
10	613.3101	Cylinder		439.3508	Pack of 5 Scraper blades 8"
11	809.0289	O'Ring (Cylinder -small diameter)		439.3512	Pack of 4 Scraper blades 12"
12	809.0299	O'Ring (Cylinder -large diameter)		439.3524	Pack of 5 Bevelled Scraper blades 4"
24	610.3001	Anvil		439.3528	Pack of 5 Bevelled Scraper blades 8"
25	601.3003	2mm Needle Holder		439.3522	Pack of 5 Bevelled Scraper blades 12"
	601.3002	3mm Needle Holder		705.1100	Chisel 5/8" Hex 9" Long x 2" Blade
	601.3004	4mm Needle Holder			
26	412.1165	6 x 2mm Needle Sets (Flat Tip)		705.1106	Chisel 5/8" Hex 9" Long x 2" Blade
	413.2128	6 x 3mm Needle Sets (Chisel Tip - standard fitment)		705.1112	Chisel 5/8" Hex 8" Long Spark Resistant 4" Blade
	413.1128	6 x 3mm Needle Sets (Flat Tip)			
	413.3128	6 x 3mm Needle Sets (Pointed Tip)		708.1100	Comb Holder 5/8" Hex for 1 1/2" Steel Comb
	403.1328	1 x 3mm Needle Sets (Beryllium Copper)		708.1101	Comb 1 1/2" Wide
	414.2119	6 x 4mm Needle Sets (Chisel Tip)		641.3512	Yoke for Scraper Blades (no blade)
	414.1119	6 x 4mm Needle Sets (Flat Tip)		806.0816	Button Head Screw for Yoke/Scraper Blade
	414.3119	6 x 4mm Needle Sets (Pointed Tip)		824.0800	Nyloc Nut for Yoke/Scraper Blade
	442.1107	Pack of 2000 2mm Needles (Flat Tip)			
	452.1110	Pack of 100 2mm Needles (Flat Tip)			
	443.2107	Pack of 1000 3mm Needles (Chisel Tip)	<b>Long Reach components (Standard tool)</b>		
	443.1107	Pack of 1000 3mm Needles (Flat Tip)	14	425.3225	2' Cover std
	443.3107	Pack of 1000 3mm Needles (Pointed Tip)		425.3425	4' Cover std
	443.1307	Pack of 500 3mm Needles (Beryllium Copper)		425.3525	5' Cover std
	453.2110	Pack of 100 3mm Needles (Chisel Tip)		425.3625	6' Cover std
	453.1110	Pack of 100 3mm Needles (Flat Tip)	18	717.3011	Rubber Handle Grip
	453.3110	Pack of 100 3mm Needles (Pointed Tip)	19	717.3501	Cover Grip
	453.1310	Pack of 100 3mm Needles (Beryllium Copper)	20	624.3001	Handle Tube
	444.2107	Pack of 500 4mm Needles (Chisel Tip)	21	623.3001	Centre Tube
	444.1107	Pack of 500 4mm Needles (Flat Tip)	22	625.3001	Locknut
	444.3107	Pack of 500 4mm Needles (Pointed Tip)	23	810.9000	Sealing Washer
	454.2105	Pack of 50 4mm Needles (Chisel Tip)			
	454.1105	Pack of 50 4mm Needles (Flat Tip)	<b>Long Reach components (Lite tool)</b>		
	454.3105	Pack of 50 4mm Needles (Pointed Tip)	14	425.3498	4' Lite Cover
27	712.3001	Compression Spring		425.3598	5' Lite Cover
28	416.3132	Intermediate Tube		425.3698	6' Lite Cover
29	417.3032	Front Tube (Straight)	19	717.3501	Cover Grip
	418.3032	Front tube (Round)	21	627.3598	Threaded Adapter
	415.3532	Needle Scaler Assembly (Items 24 to 28)			